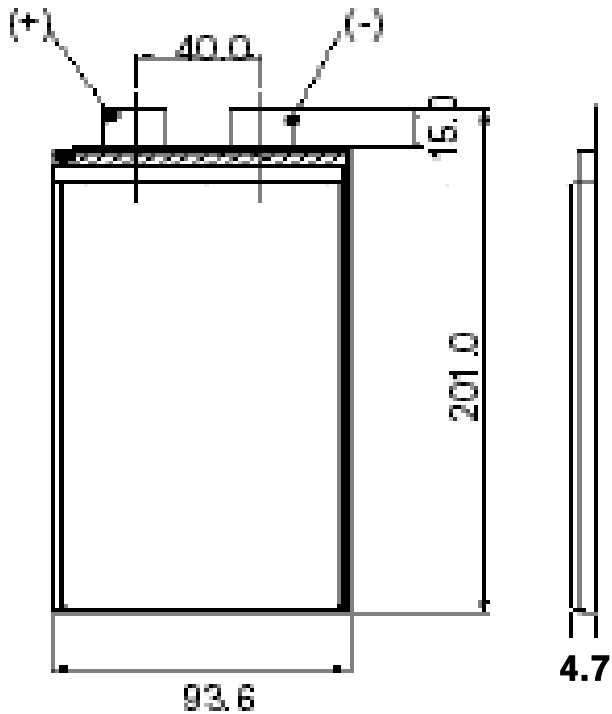


General information



<i>E2</i>		
0.5C Capacity *	Nominal	6,200 mAh
1C Capacity **	Nominal	6,000 mAh
Dimensions	Thickness	4.7 mm
	Width	93.6 mm
	Height	201.5 mm
Weight (Typical)	~160 g	
Nominal Voltage	3.8 V	
Internal Impedance	≤ 4.2mOhm	

* *Charge* : 3A, 4.15V, 300mA End-current (CC-CV)

Discharge : 3A, 3.0V cut-off

** *Charge* : 3A, 4.15V, 300mA End-current (CC-CV)

Discharge : 6A, 3.0V cut-off